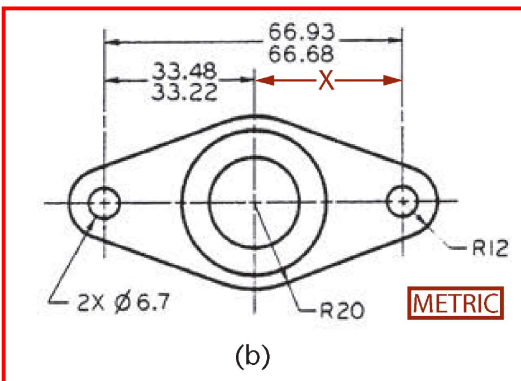
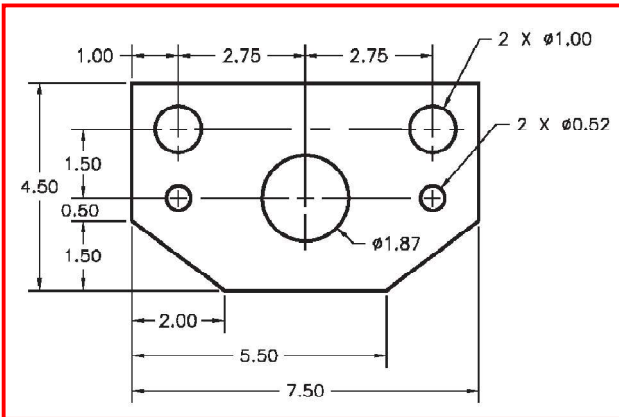
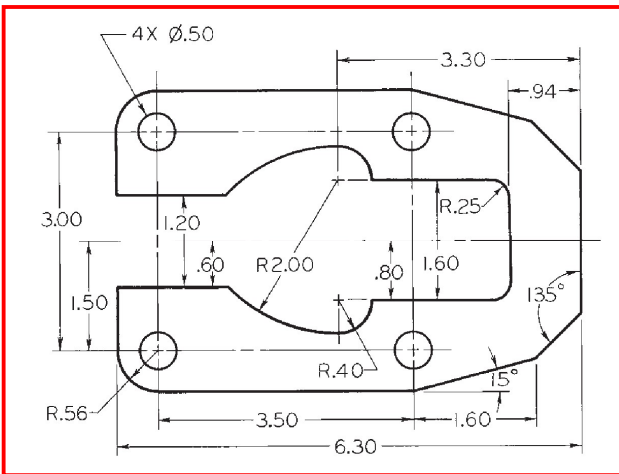
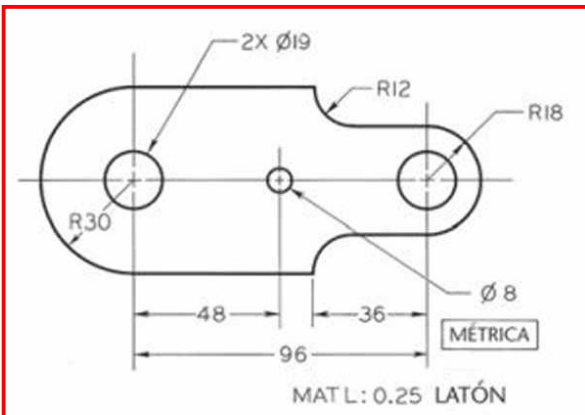
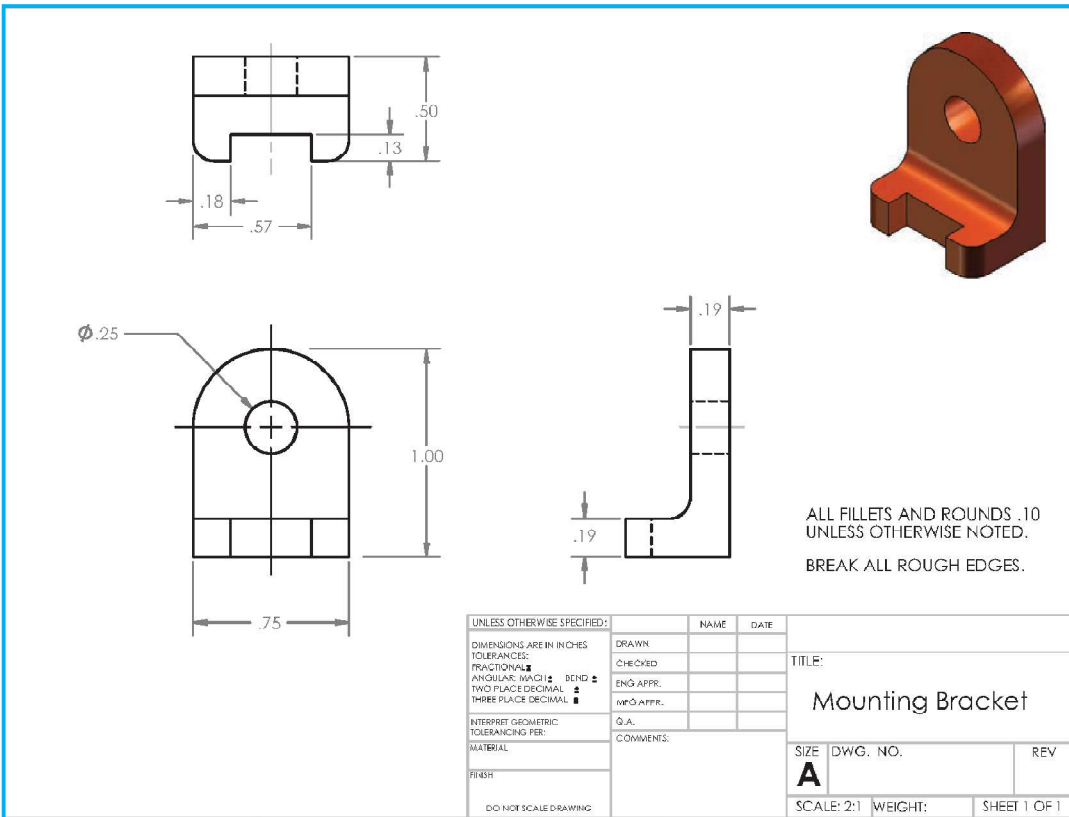
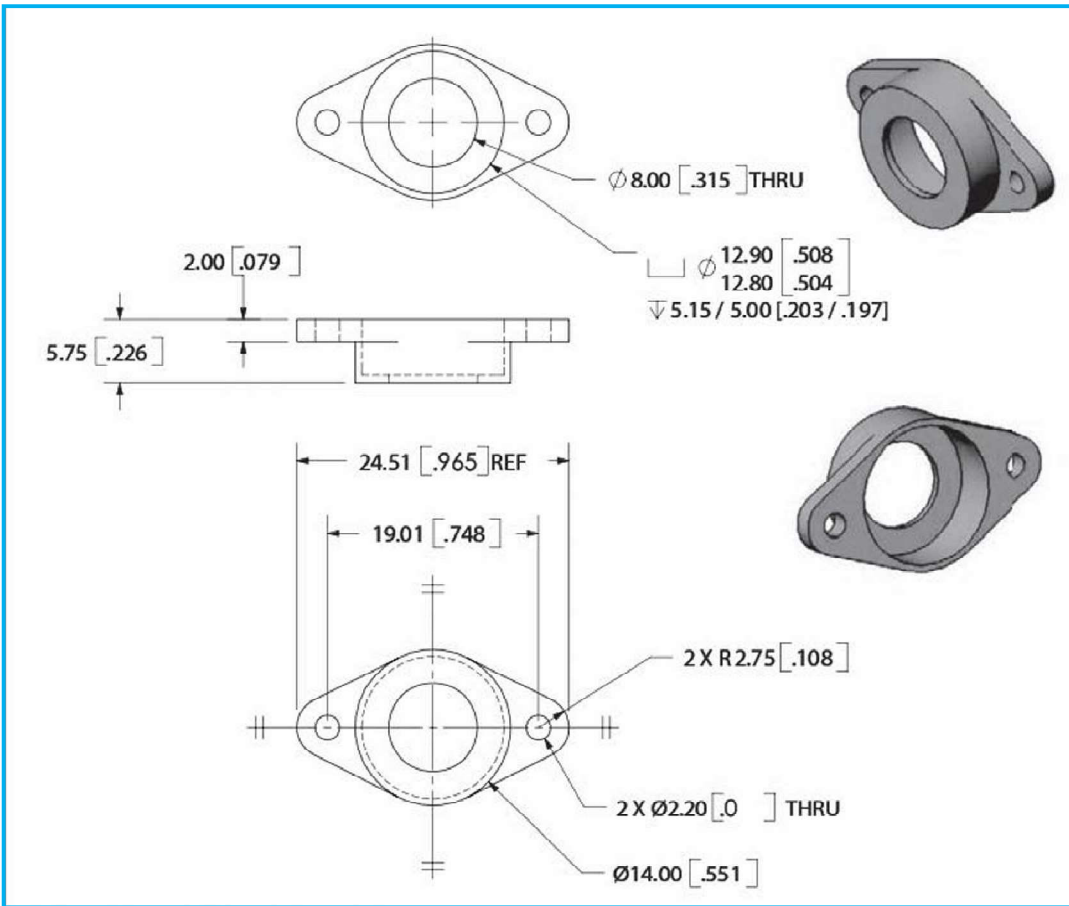
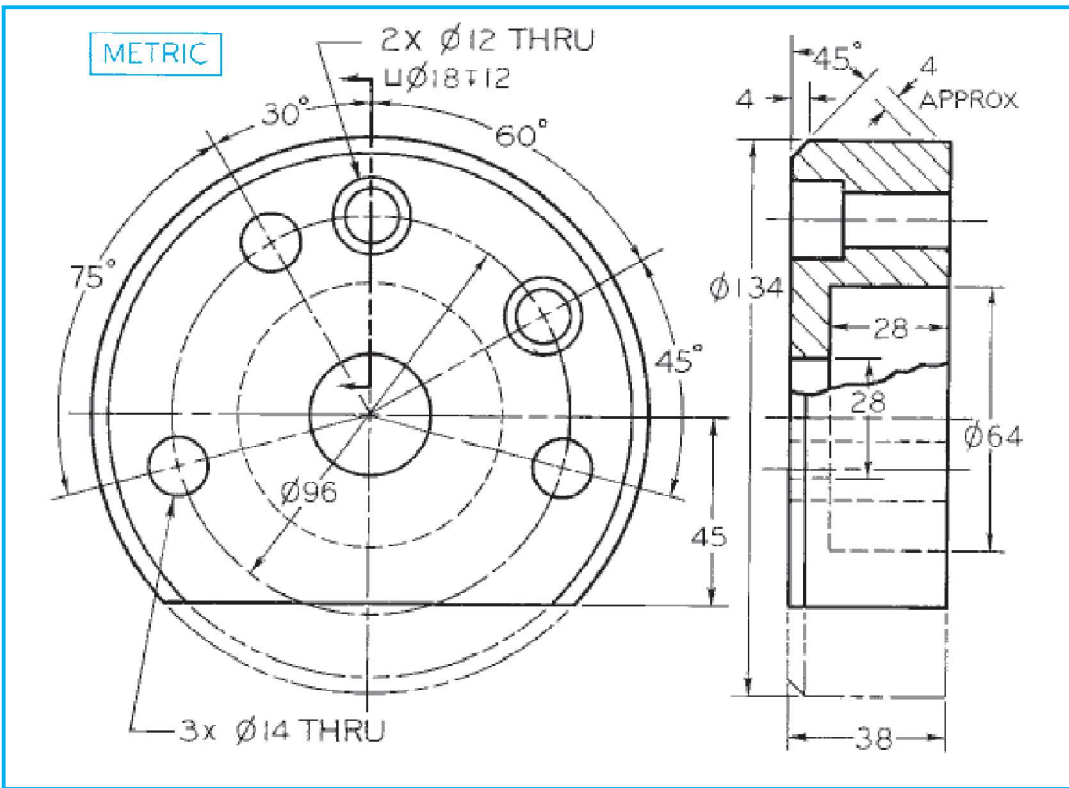
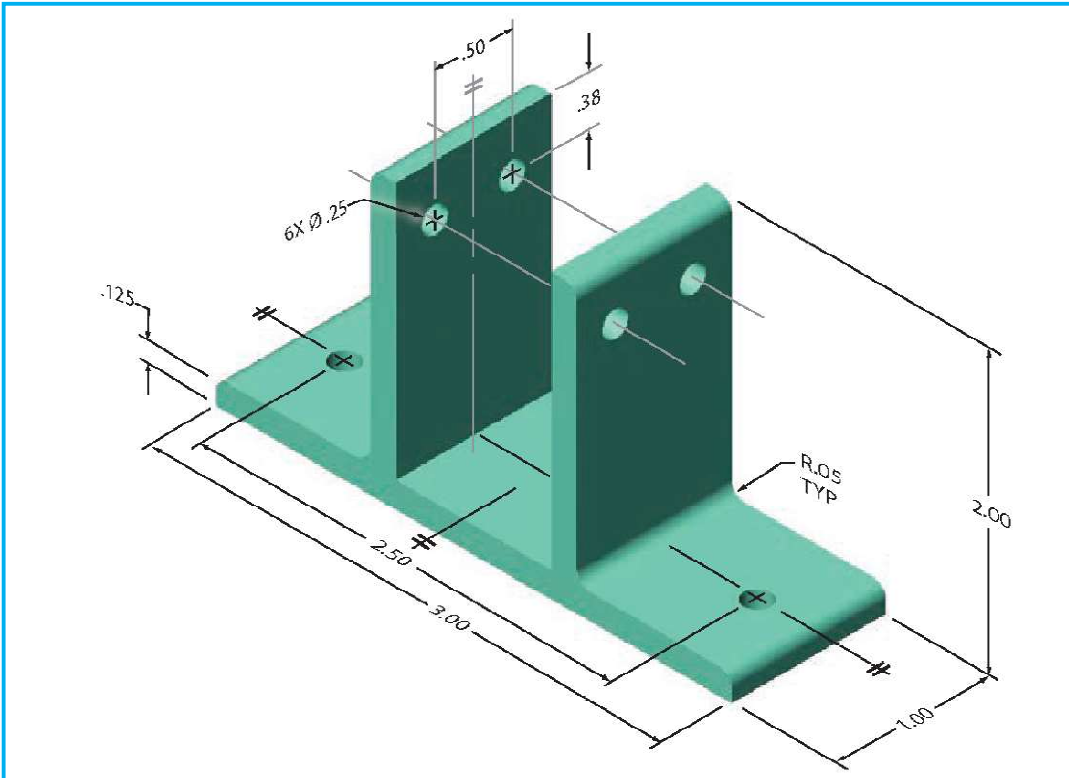


Modelar solo en entorno boceto.

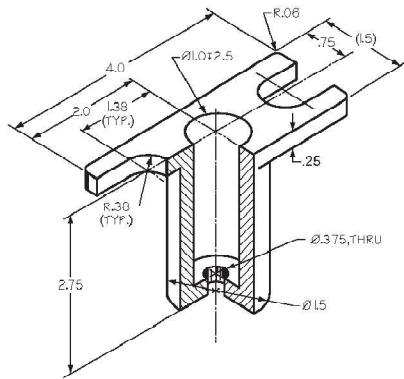
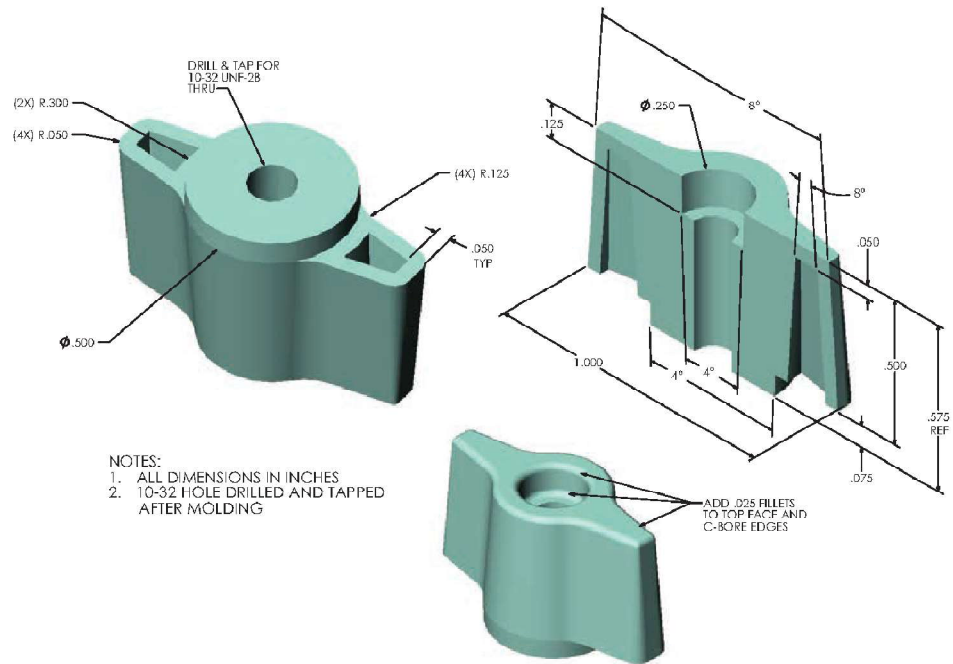


Modelar en entorno pieza

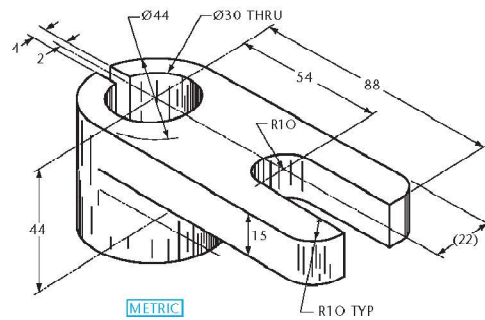




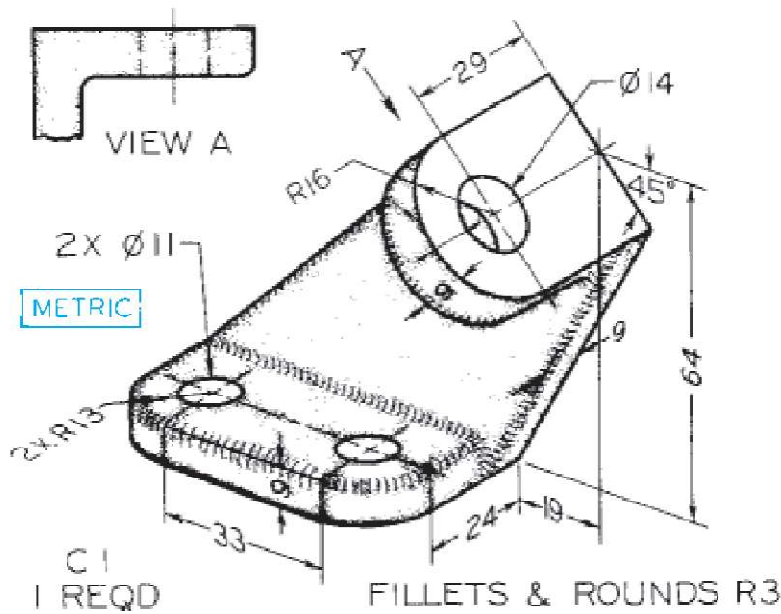
Exercise 6.25 Create a constraint-based model of this simple knob.



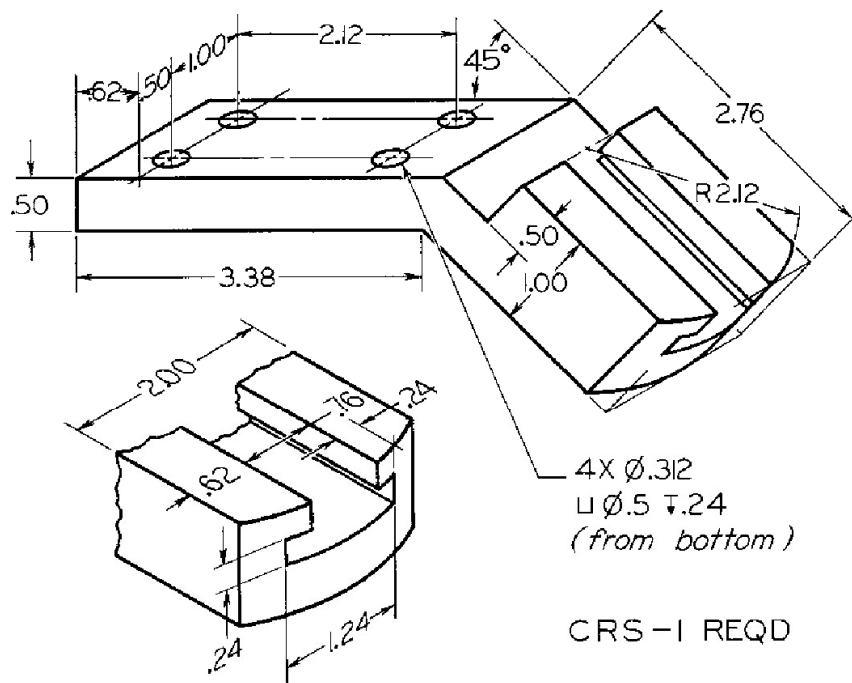
Exercise 8.39 Mounting Pin. Draw the necessary views showing the front view as a half section.*



Exercise 8.40 Clamp. Draw the necessary views showing the front view as a full section.*



Exercise 9.7 Anchor Bracket. Draw necessary views or partial views.*



Exercise 9.12 Guide Bracket. Draw necessary views or partial views.*

